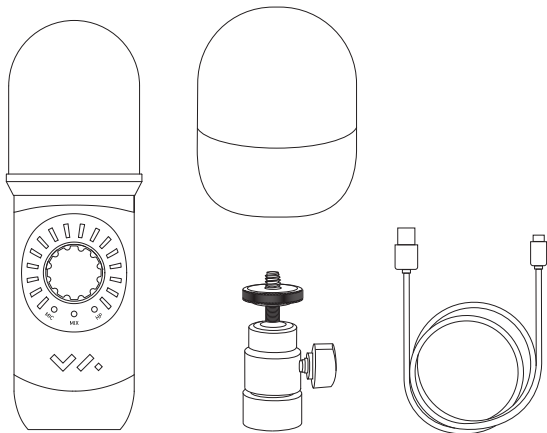


# Spatial Mic Quickstart Guide



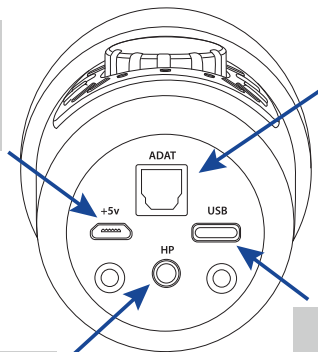
Inside the Box



## Connecting the Mic

**Micro-USB**  
Connect USB battery pack or 5v AC adapter when not using USB-C bus power.

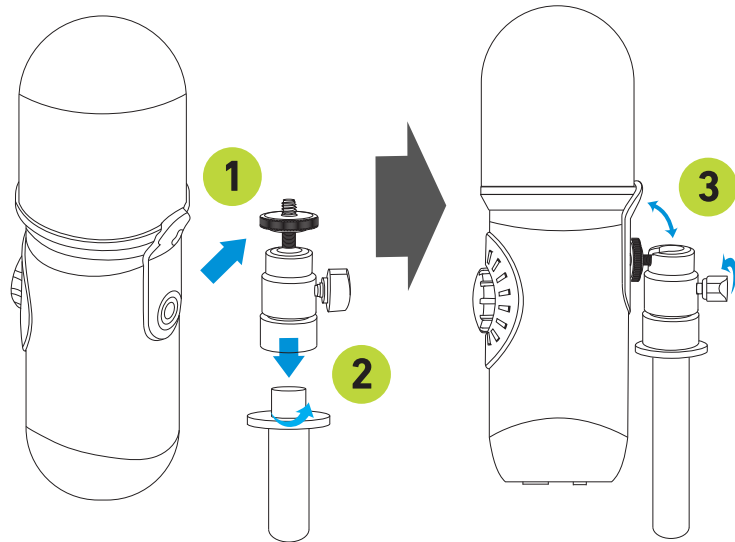
**1/8" Headphone Jack**



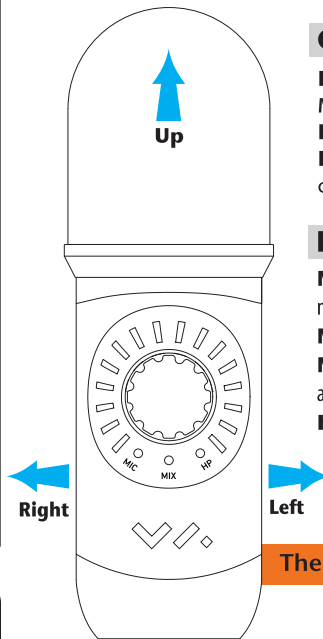
**ADAT Lightpipe**

**USB-C**  
Connect to computer or mobile device.

## Mounting the Mic



## Mic Controls and Orientation



### Controls

**Push** the knob to cycle through modes: **METERING** → **MIC GAIN** → **MIX** → **HP LEVEL**  
**Rotate** the knob to adjust selected mode.  
**Push & hold** knob to mute or unmute capsule signals.

### Modes

**Metering** - LEDs display live signal level. Additional metering options available via Spatial Mic Control App.  
**Mic** - Adjusts Spatial Mic analog capsule gain.  
**Mix** - Adjusts the balance between live capsule signal and stereo computer playback.  
**HP** - Adjusts level of overall headphone output.

The knob indicates the front of the mic

Find the complete **Manual**, **Spatial Mic Converter Plugin** and **Spatial Mic Control App** at:  
<https://voyage.audio/downloads>

